



*Total Solution Provider in Saw Device*

---

# SA43AB1

43.75 MHz IF SAW Filter  
6.0 MHz Bandwidth  
IF SAW Filter for Digital Cable TV  
Revision 2: 10. Feb. 2009



- Electrical Characteristics
  - Package Dimensions
  - Testing Environment
  - Frequency Characteristics
- 

**SAWNICS Inc.**

---

460 Cheonheung-ri, Seonggeo-eup, Cheonan-si, Chungcheongnam-do, 330-836 / Korea.  
Tel: +82 41 550 9372 / Fax: +82 41 550 9399 / [www.sawnics.com](http://www.sawnics.com)

## □ Electrical Characteristics

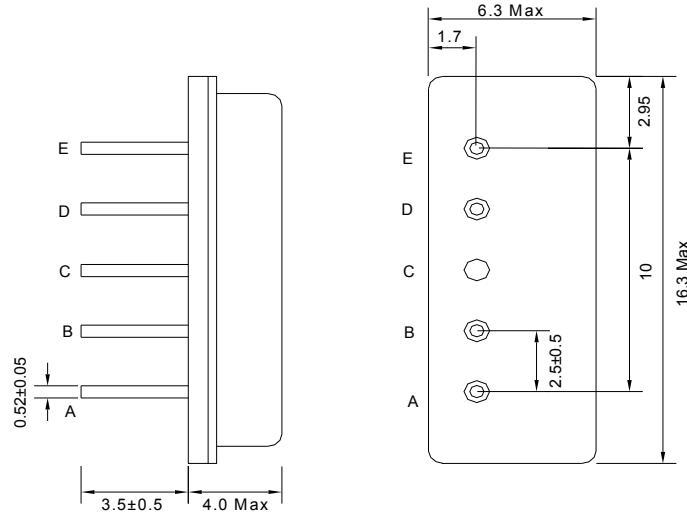
### Maximum Ratings

Parameters Description	Unit	Minimum	Typical	Maximum
Operation Temperature Range	°C	-30	-	80
Storage Temperature Range	°C	-40	-	85
Maximum DC Voltage	V	-	-	10
Maximum Input Power	dBm	-	-	10
Source Impedance (single ended) <sup>(1)</sup>	Ω	-	50	-
Load Impedance (single ended) <sup>(1)</sup>	Ω	-	2kΩ/3pF	-
Package type & size	B1			
Length x Width	mm <sup>2</sup>	-	16.3 x 6.3	-
Height	mm	-	-	4.0

### Electrical Specification

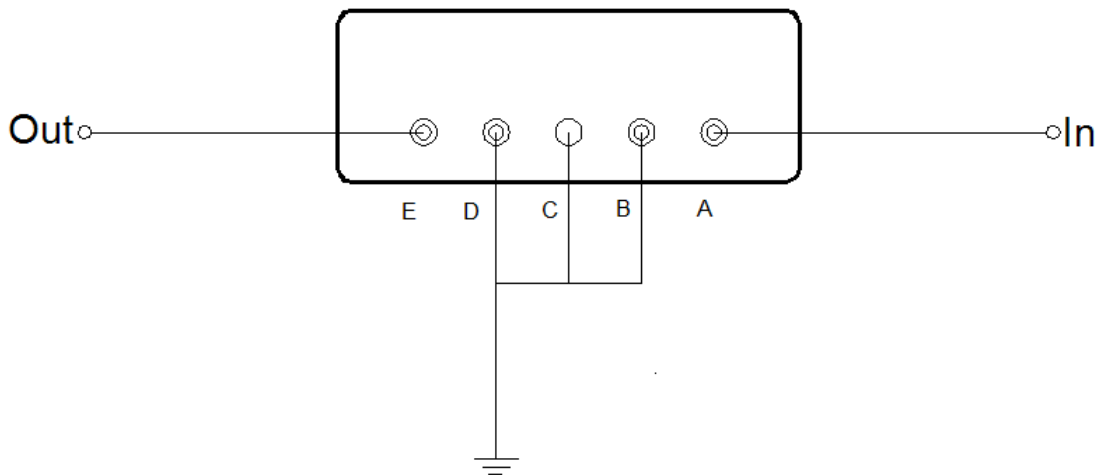
Parameters Description	Unit	Minimum	Typical	Maximum
Center Frequency (Fo)	MHz	-	43.75	-
Insertion Loss at Fo	dB	-	15.0	17.0
Group Delay Variation	nsec	-	40	-
Temperature Coefficient	ppm/°C	-	-72	-
Bandwidth at -3.0 dB	MHz	-	6.0	-
Bandwidth at -30.0 dB	MHz	-	7.6	-
<b>Attenuation: (Ref.; 43.75MHz)</b>				
41.22 MHz	dB	-0.7	0.3	1.3
46.28 MHz	dB	-0.8	0.2	1.2
40.75 MHz	dB	1.5	2.5	3.5
43.75 MHz (Reference frequency)	dB	-	0	-
46.75 MHz	dB	1.5	2.5	3.5
39.75 MHz	dB	38	43	-
47.75 MHz	dB	38	42	-
<b>Relative Attenuation:</b>				
35.0 ~ 39.0 MHz	dB	42	45	-
39.0 ~ 39.75 MHz	dB	37	41	-
47.75 ~ 50.0 MHz	dB	37	40	-
50.0 ~ 55.0 MHz	dB	42	45	-

**Package Dimensions**



Pin Description	
A	INPUT
B	INPUT-GROUND
C	GROUND
D	OUTPUT
E	OUTPUT

**Testing Environment**



Nominal Source Impedance = 50Ω  
 Nominal Load Impedance = 2kΩ/3pF

## □ Frequency Characteristics

Frequency Response

